



VIKAS INDUSTRIES

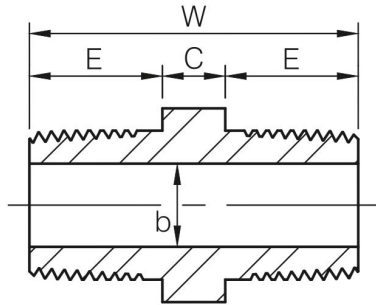
A GOVT. OF INDIA RECOGNISED STAR EXPORT HOUSE



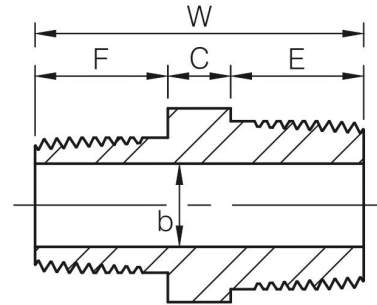
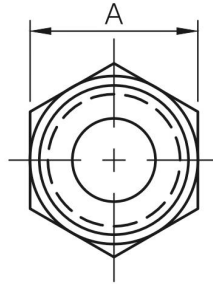
AN ISO 9001: 2015 CERTIFIED COMPANY

A UL LISTED COMPANY

HEX NIPPLE



FULL SIZE



REDUCING SIZE

Dimensions are in millimeters.

Normal Size				A (Min)	W (Min)	E (Min)	B ⁽¹⁾		C (Min)	F (Min)
Equal		Reducing					3M ⁽²⁾	6M ⁽²⁾		
In	DN	In	DN							
1/8	(6)	-	-	11	26	10	5	2	6	-
1/4	(8)	-	-	15	36	15	8	6	6	-
-	-	1/4 x 1/8	(8x6)	15	31	15	5	2	6	10
3/8	(10)	-	-	18	40	16	11	8	8	-
-	-	3/8 x 1/4	(10x8)	18	39	16	8	6	8	15
1/2	(15)	-	-	22	48	20	14	11	8	-
-	-	1/2 x 3/8	(15x10)	22	44	20	11	8	8	16
-	-	1/2 x 1/4	(15x8)	22	43	20	8	6	8	15
3/4	(20)	-	-	27	52	21	19	13	10	-
-	-	3/4 x 1/2	(20x15)	27	50	21	14	11	9	20
-	-	3/4 x 3/8	(20x10)	27	46	21	11	8	9	16
1	(25)	-	-	35	60	25	24	17	10	-
-	-	1 x 3/4	(25x20)	35	56	25	19	13	10	21
-	-	1 x 1/2	(25x15)	35	55	25	14	11	10	20
1-1/2	(40)	-	-	50	68	26	38	30	16	-
-	-	1-1/2 x 1	(40x25)	50	67	26	24	17	16	25
-	-	1-1/2 x 3/4	(40x20)	50	63	26	19	13	16	21
-	-	1-1/2 x 1/2	(40x15)	50	62	26	14	11	16	20
2	(50)	-	-	62	71	27	49	39	17	-
-	-	2 x 1-1/2	(50 x 40)	62	70	27	38	30	18	26
-	-	2 x 1	(50 x 25)	62	70	27	24	17	17	25
-	-	2 x 3/4	950 x 20)	62	65	27	19	13	18	21
-	-	2 x 1/2	(50 x 15)	62	65	27	14	11	17	20

(1) Tolerance see page 31.

(2) 3M & 6M symbols denote 3000 & 6000 classes.